

AUKEY

User Manual

Surge Protector

with 8 AC Outlets & 2 USB Ports

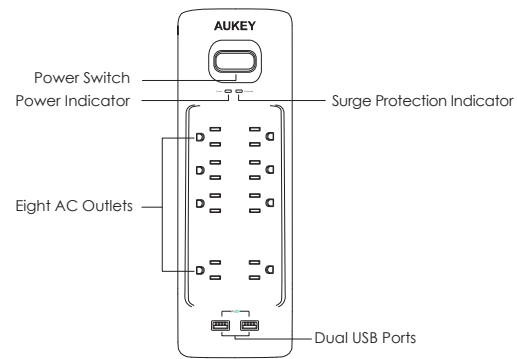
Thank you for purchasing the AUKEY PA-D02 Surge Protector with 8 AC Outlets and 2 USB Ports. Please read this user manual carefully and keep it for future reference. If you need any assistance, please contact our support team with your product model number and Amazon order number.

This Surge Protector is designed to protect connected equipment from damaging electrical surges and spikes by both absorbing excess energy and safely redirecting excess energy to the electrical ground of your wiring system.

Package Contents

Surge Protector
User Manual
Warranty Card

Product Diagram



Specifications

Model	PA-D02
Input	125V 15A 60Hz
AC Output	125V 15A 60Hz
Maximum AC Power Output	1875W (total)
USB Output	DC 5V 2.4A 12W Max (total)
Energy Absorption Rating	1200 Joules
Peak Current	27000A
Cable Length	1.8m / 5.9ft
Dimensions	300 x 99 x 36mm / 11.8" x 3.9" x 1.4"
Weight	726g / 25.6oz

FAQ

How does the "Surge Protection Indicator" work?

The green surge protection indicator shows that surge protection is active. The Surge Protector will be sacrificed (as designed) during a power surge to save your connected equipment, but may not protect your devices from surges and spikes in the future if they exceed the energy absorption rating. If disconnection and reconnection does not reset it, replace the Surge Protector.

Product Care & Use

- Designed for indoor use only
- Only use with properly grounded outlets
- Do not plug into another power strip or extension cable
- Disconnect it during thunderstorms
- Keep it away from liquids and extreme heat
- Replacement recommended after a serious power surge or several years of use
- Protected indicator stays on briefly after switch-off due to normal capacitor discharge

Model: PA-D02

Warranty & Customer Support

For questions, support, or warranty claims, contact us at the address below that corresponds with your region. Please include your Amazon order number and product model number.

Amazon US orders: support.us@aukey.com
Amazon EU orders: support.eu@aukey.com
Amazon CA orders: support.ca@aukey.com
Amazon JP orders: support.jp@aukey.com

*Please note, AUKEY can only provide after sales service for products purchased directly from AUKEY. If you have purchased from a different seller, please contact them directly for service or warranty issues.

AUKEY International Ltd.
www.aukey.com | support@aukey.com
No.102, Building P09, Electronics Trade Center
Huanan City, Pinghu Town, Longgang District
Shenzhen, Guangdong, 518111, CN

